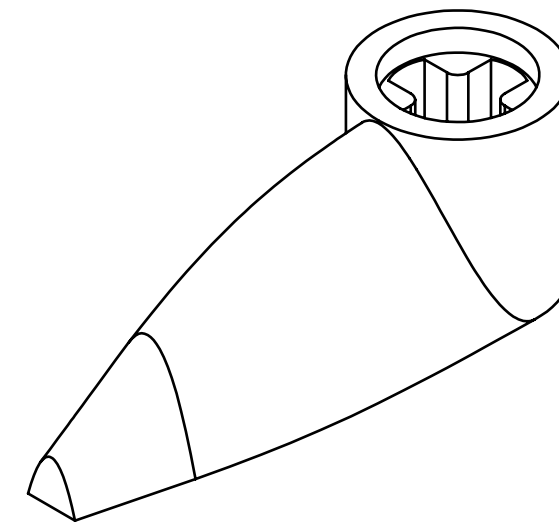
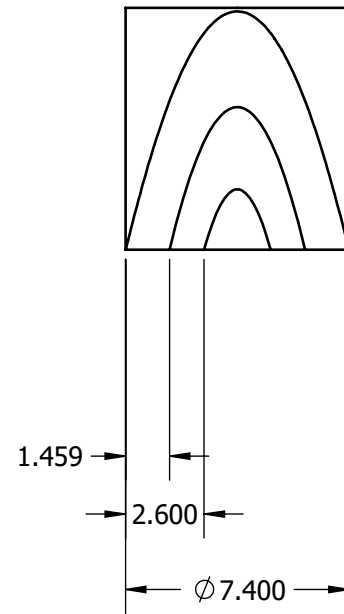
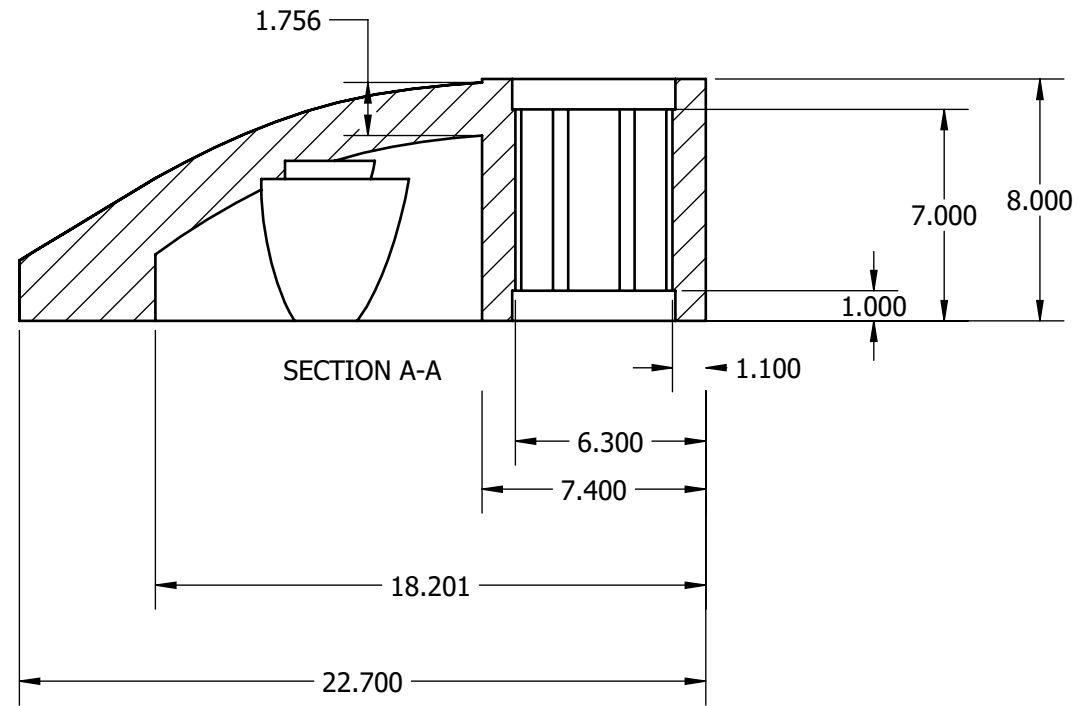
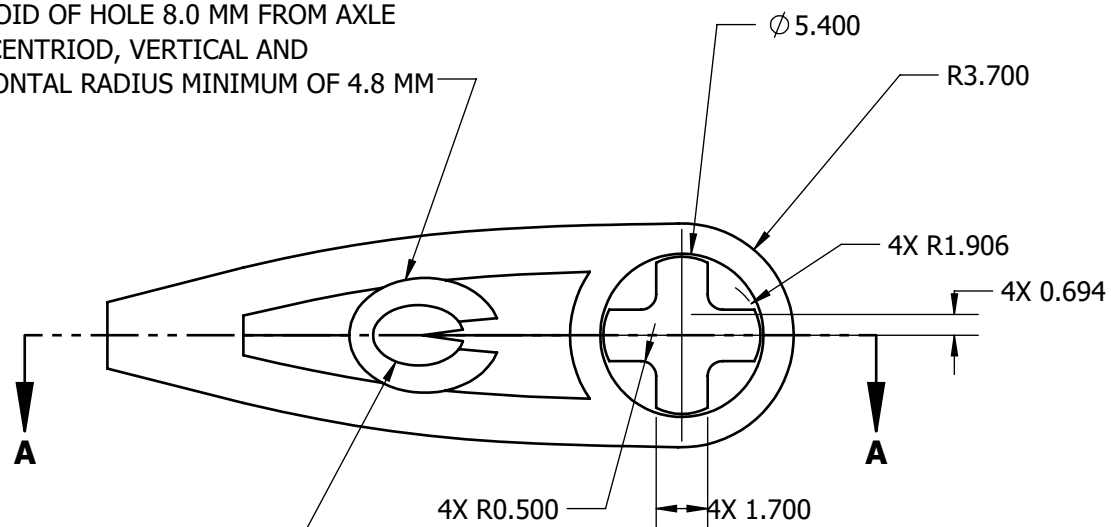


REVISIONS		
REV.	DESCRIPTION	DATE
A	INITIAL RELEASE	12/4/2024




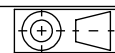
CENTROID OF HOLE 8.0 MM FROM AXLE
HOLE CENTRIOD, VERTICAL AND
HORIZONTAL RADIUS MINIMUM OF 4.8 MM



INNER HOLE DEPTH
MAXIMUM 5.3 MM

NOTES

1. OUTER CURVATURE NEED NOT BE EXACT, AXLE HOLE ACCURACY SHOULD BE PRIORITIZED
2. CENTRAL HOLE USED TO HOLLOW PART JUST HAS TO FIT A 4.8 DIAMETER STUD, OTHERWISE MEASUREMENTS LESS SPECIFIC

PROPRIETARY AND CONFIDENTIAL THE INFORMATION CONTAINED IN THIS DRAWING IS THE SOLE PROPERTY OF THE UNIVERSITY OF COLORADO. ANY REPRODUCTION IN PART OR AS A WHOLE WITHOUT WRITTEN PERMISSION IS PROHIBITED.	TOLERANCES: X.X ±0.1 X.XX ±0.010 X.XXX ±0.005 X.X° ±1°		MATERIAL: ABS RED FINISH: NONE		 UNIVERSITY OF COLORADO 1111 ENGINEERING DRIVE BOULDER, CO 80309-0427 MCEN 1025	
	UNLESS OTHERWISE SPECIFIED: DRAWING UNITS: MILLIMETERS INTERPRET DRAWING PER ASME Y14.100 INTERPRET DIMENSIONS PER ASME Y14.5M		DRAWN: JULIA ABOUD	DATE: 12/4/24		DESCRIPTION: BIONICLE TOOTH WITH AXLE HOLE
			CHECKER: N/A	DATE: 	PART NUMBER: 4185661	REV A
			MANUFACTURING ENGINEER: N/A	DATE: 	 SIZE: B	SHEET: 1 of 1